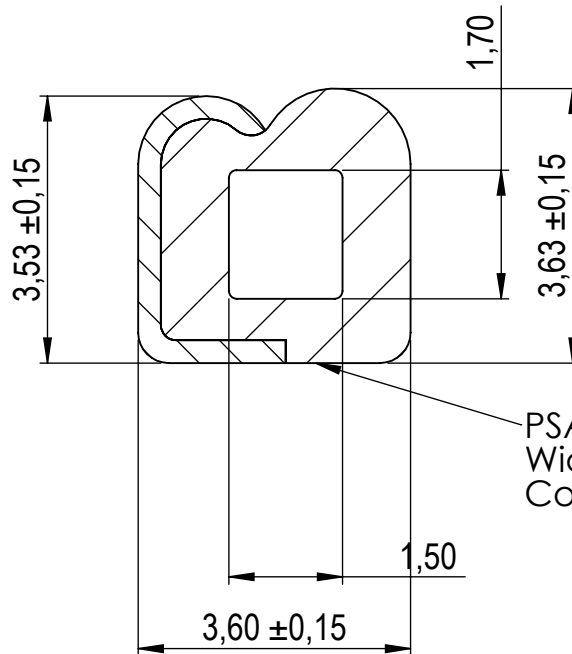


**Compashield® splice quality requirements:**

No reduction of the shielding properties in the splicing area. Splicing rubber thin and conductive.  
 No flash, porosity or excess rubber at the joint after splicing.  
 Max increase of compression force in the splicing area 5%. No excess splicing rubber inside hollow profiles.  
 Joining point should stand for 10% stretch without mechanical damage

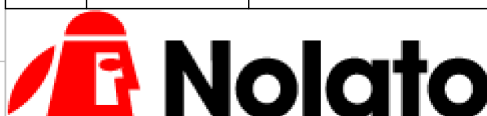
**Cross-section area**9,64 mm<sup>2</sup>**Electrial resistance measure:**

Methode: Nolato R3 Max: 300 mOhm



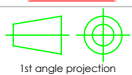
Art.nr	Material	Length	Weight/m	Splice
1207200	8648/1540	Roll	4,5g/8,7g g	No
1207201		2885 ± 5m m		Yes

REVISIONS		
REV.	DATE	DESCRIPTION



Document name

Compashield EE

Sheet scale  
10:1Sheet size  
A4Document no.  
P2072:13:001Rev no.  
BNolato art. no.  
1207200

General tolerances

Drawn by  
S.MChecked by  
P.ÅDate  
2013-06-19

SS ISO 3302-1 M3

Reference cad data

1207200 B Compashield EE